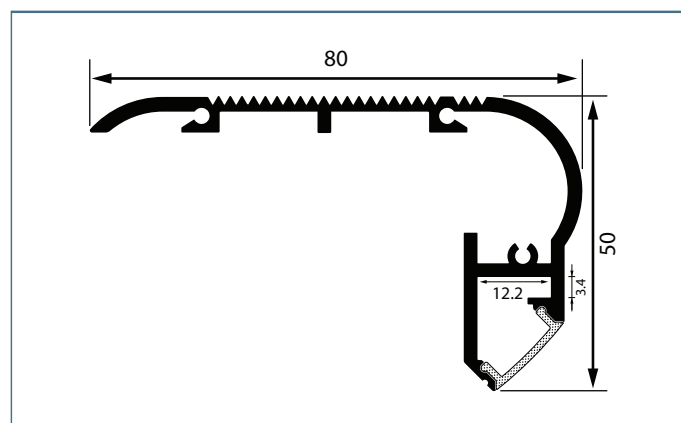


### PS8050 | STEP PROFILE

#### PRODUCT SPECIFICATIONS

Weight 2.06kg Per / 2mL  
IK08



#### PRODUCT CODES

Item #	Product Code	Description
40830	PS8050	80mm x 50mm step profile supplied in 2m lengths
40100	D17-C	Clear diffuser to suit PF178, P178, PF1715, P1715, PA1919, PS6528, PW1849, PS8050, PW1849
40101	D17-O	Opal diffuser to suit PF178, P178, PF1715, P1715, PA1919, PS6528, PW1849, PS8050, PW1849
40103	DF17-O	Flexible opal diffuser to suit PF178, P178, PF1715, P1715, PA1919, PS6528, PW1849, PS8050, PW1849
40104	DF17-B	Flexible black diffuser to suit PF178, P178, PF1715, P1715, PA1919, PS6528, PW1849, PS8050, PW1849
40831	PS8050-EC	End caps and screws to suit PS8050 (PAIR)