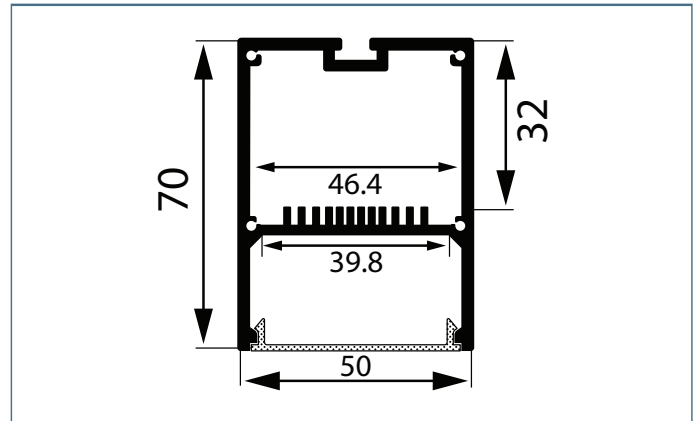
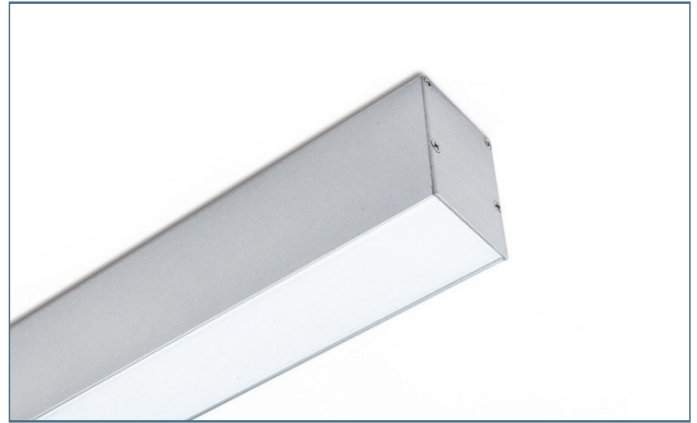


P5070 | STANDARD PROFILE

PRODUCT SPECIFICATIONS

Weight 2.80kg Per / 2mL
IK08



PRODUCT CODES

Item #	Product Code	Description
40560	P5070	50mm x 70mm suspended profile supplied in 2m lengths
40560-W	P5070-W	50mm x 70mm suspended profile supplied in 2m lengths (pre painted white)
40560-B	P5070-B	50mm x 70mm suspended profile supplied in 2m lengths (pre painted black)
40561	D5070-O	Opal diffuser to suit P5070
40562	P5070-EC	End cap and screws to suit P5070
40563	P5070-ECH	End cap with cable hole and screws to suit P5070
40000	C1	Suspension cable