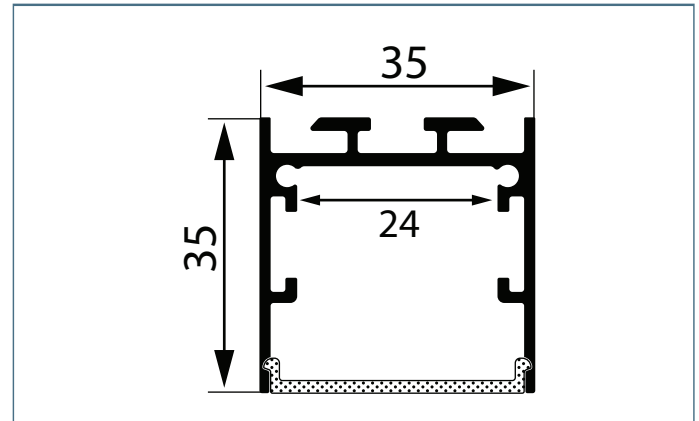
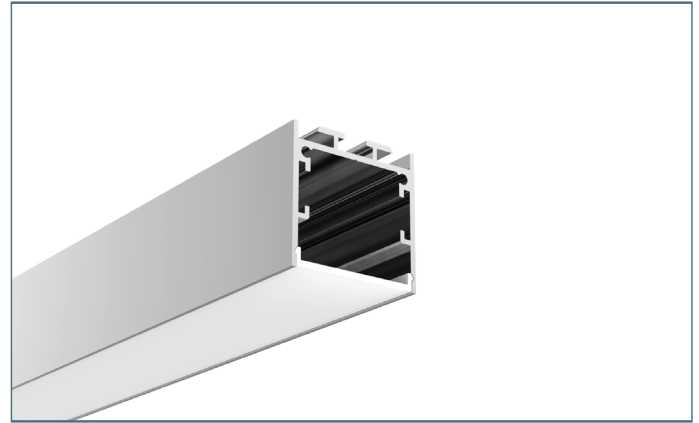


P3535 | STANDARD PROFILE

PRODUCT SPECIFICATIONS

Weight 1.22kg Per / 2mL
IK08



PRODUCT CODES

Item #	Product Code	Description
40470	P3535	35mm x 35mm surface or suspended mounted profile supplied in 2m lengths
40470-W	P3535-W	35mm x 35mm surface or suspended mounted profile supplied in 2m lengths (pre painted white)
40470-B	P3535-B	35mm x 35mm surface or suspended mounted profile supplied in 2m lengths (pre painted black)
40111	D35-O	Opal diffuser to suit PF3535, P3535, P4335, P3542
40080	P3938-MC	Mounting clips to suit P3535, P3938
40471	P3535-EC	End cap and screws to suit P3535
40472	P3535-ECH	End cap with cable hole and screws to suit P3535
40000	C1	Suspension cable
40010	S1	Inline support to suit P3535, PF5035, P5035, PF7535, P7535
40011	S1-H	Horizontal support to suit P3535 PF5035 P5035 PF7535 P7535
40012	S1-V	Inline support to suit P3535 PF5035 P5035 PF7535 P7535